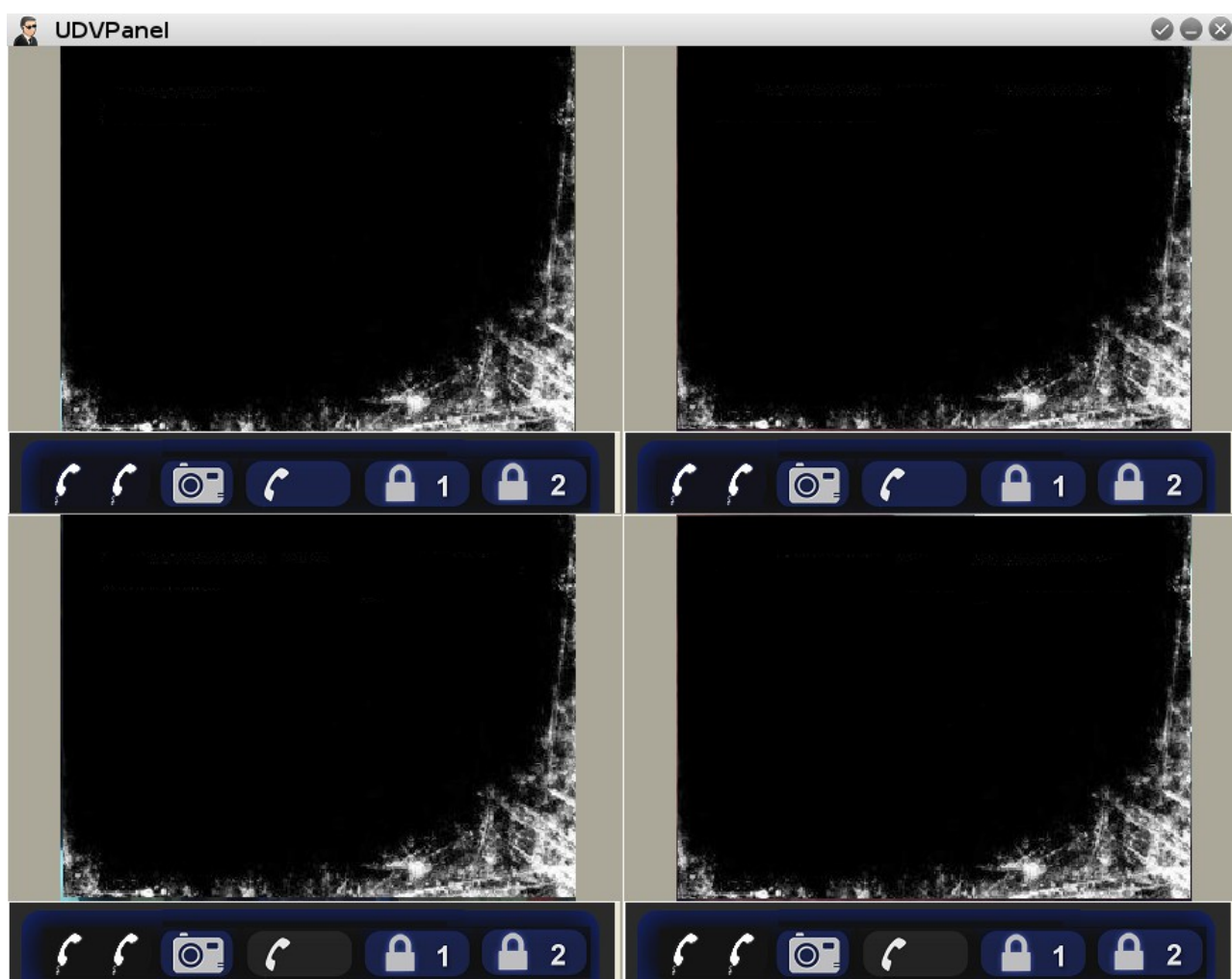


UDVPanel

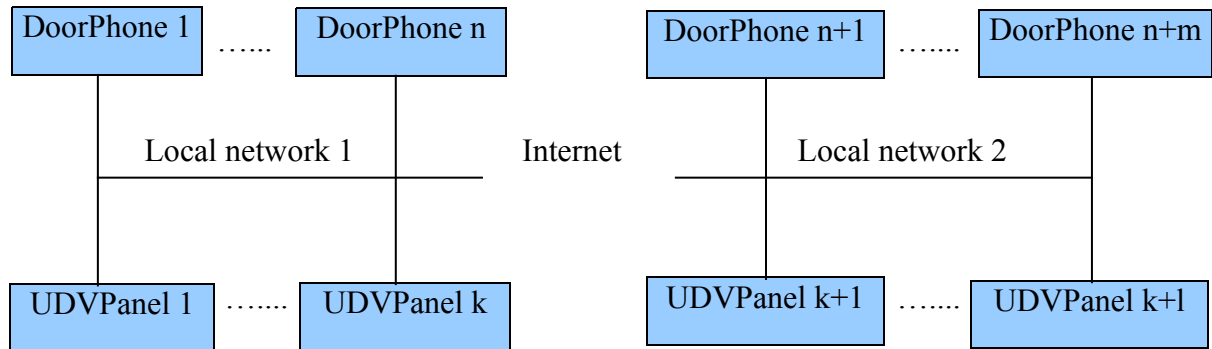
Control application for DoorPhones



Version: 3.6
Language: English
Date: 2016/11/01

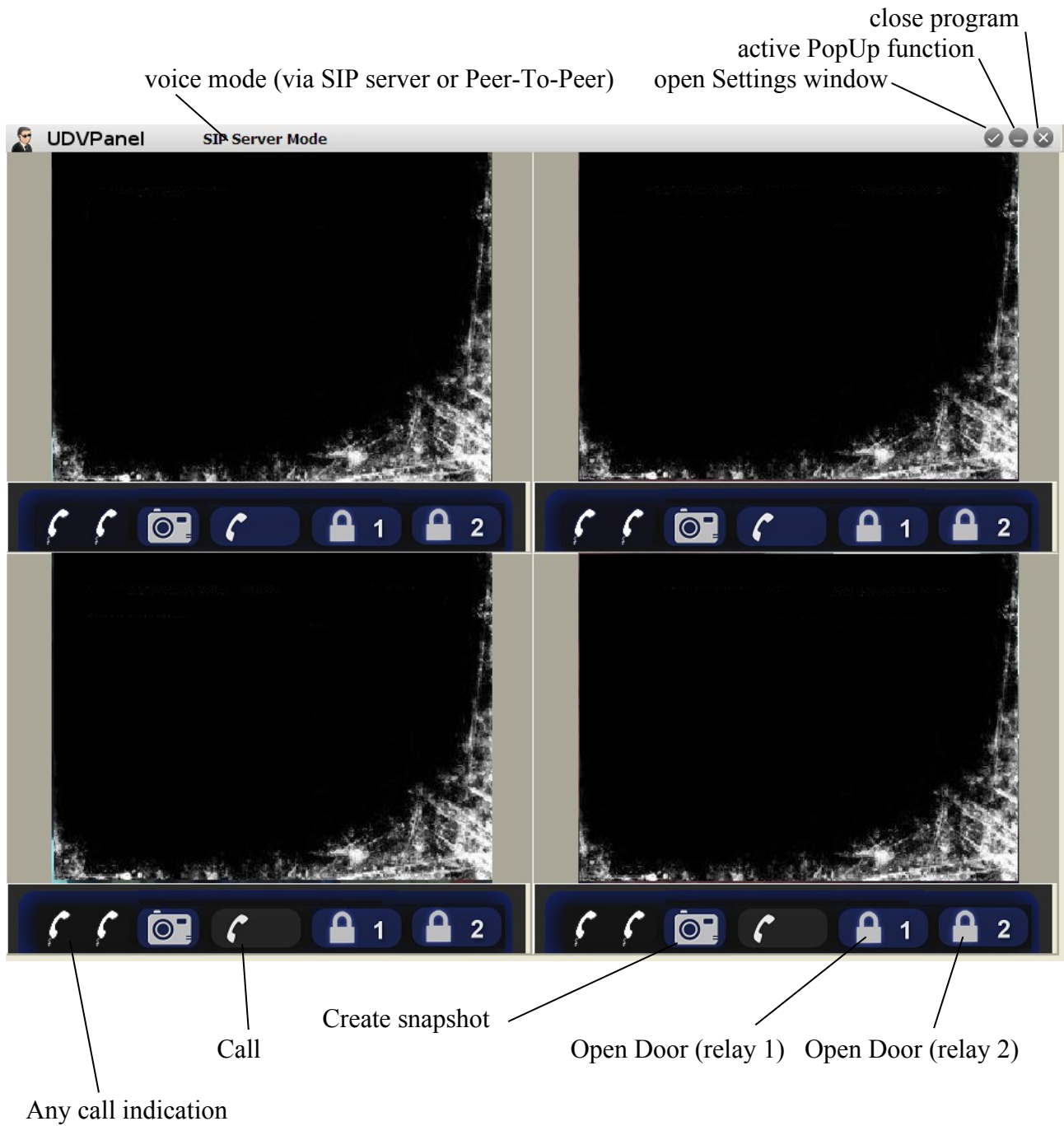
Introduction:

The one program „UDVPanel.exe“ can manage four DoorPhones via local computer network or via internet. Unlimited number of the UDVPanels can run simultaneously on one net. Each program on his separate PC.



Video and control of locks are realized directly via http connections on port 80, audio using SIP protokol in mode Peer-To-Peer or via external SIP server.

The main window:



The settings window:

Settings for protected input to DoorPhones, the firmware of DoorPhone must be 1.73 or higher

Enable DoorPhone window

Version of this program

UDVPanels 3.3

DoorPhone IP:	Video Port:	User Name:	Password:
<input type="checkbox"/> 192.168.1.250	80		
<input type="checkbox"/> 192.168.1.251	80		
<input type="checkbox"/> 192.168.1.252	80		
<input type="checkbox"/> 192.168.1.253	80		

Phone connection

Peer-To-Peer
 SIP server

Pop-Up upon call
 Save call to Record dir as AVI: C:\Users\Public\Documents\UDVPanels\Record
 Save call to Snapshot dir as JPG: C:\Users\Public\Documents\UDVPanels\Snapshot

SIP server address: fritz.box SIP proxy address: fritz.box Call prefix: **

My identity: 621 My password: 1234 Auth. ID:

EN Send LOG file Save Cancel

Change language

Send log file to debug

Save changes

Call prefix, special function for some PBX e.g. Fritz!Box need insert '**'

Save video as Snapshot to disc

Save call to disc as avi

Enable to minimize window when call ended

Access to DoorPhone protected by password:

Activate protected access in DoorPhone web interface

The firmware of DoorPhone must be 1.73 or higher !!!

Admin services:

VoIP version: 1.73 UDV version: 6.1

Download log file

Show call log

Show VoIP log

Time server:

GMT+1

Syslog server:

Firmware upgrade:

Upload language:

Menu:

- Network setting
- Basic parameters
- SIP parameters
- Setting audio
- Setting video
- Relays
- Time parameters
- Memory numbers
- User interface
- Service
- Video
- Help

Language:

english

Check settings “Protect video by password” and click on “save and restart”

User interface:

Video on start page:

Protect video by password:

Only web browser will be able to display video

Video surveillance (H.264):

Push video:

Web interface tcp port:

Enable telnet:

Menu:

- Network setting
- Basic parameters
- SIP parameters
- Setting audio
- Setting video
- Relays
- Time parameters
- Memory numbers
- User interface
- Service
- Video
- Help

Language:

english

Activate protected access in UDVPanel Settings interface

Default settings are User Name= 'admin' and Password ='1234'.

UDVPanel 3.3

DoorPhone IP:	Video Port:	User Name:	Password:
192.168.1.250	80		
<input type="checkbox"/> 192.168.1.251	80		
<input type="checkbox"/> 192.168.1.252	80		
<input type="checkbox"/> 192.168.1.253	80		

Phone connection:
 Peer-To-Peer
 SIP server

Pop-Up upon call
 Save call to Record dir as AVI:
C:\Users\Public\Documents\UDVPanel\Record
 Save call to Snapshot dir as JPG:
C:\Users\Public\Documents\UDVPanel\Snapshot

SIP server adress: fritz.box SIP proxy adress: fritz.box Call prefix: **

My identity: 621 My password: 1234 Auth. ID:

EN Send LOG file Save Cancel

Change Password in DoorPhone web interface:

Day mode

Menu:

- Network setting
- Basic parameters
- SIP parameters
- Setting audio
- Setting video
- Relays
- Time parameters
- Memory numbers
- User interface
- Service
- Video
- Help

Language:

english

Admin services:

VoIP version: 1.73 UDV version: 6.1

Time server:

GMT+1

Syslog server:

Firmware upgrade:

Upload language:

Save configuration:

Upload configuration:

Service password:

Retype password:

Change setting "Service password" and click "save" and then click "restart"

Configure Fritz!Box as SIP server:

(demo FRITZ!Box Fon WLAN 7270 www.fritzbox.com)

Create SIP server account on FritzBox via Wizzard:

The screenshot shows the FRITZ!Box 7270 web interface. The top navigation bar includes the FRITZ! logo and the title 'FRITZ!Box 7270'. Below the navigation bar are links for 'Set password', 'Expert Mode: Expert', 'Contents', and 'Help'. On the left side, there is a sidebar menu with categories: 'Overview', 'Internet', 'Telephony', and 'Home Network'. Under 'Telephony', 'Telephony Devices' is selected. The main content area is titled 'Telephony Devices' and has two tabs: 'Overview' and 'Fixed line'. Below the tabs, there is a text box stating: 'On this page you can configure and edit the telephones, answering machines and fax machines connected to the FRITZ!Box.' Below this text is a table with the following data:

Name	Connect via	Number Outgoing	Incoming	Internal		
Fon 1	FON 1	-	All	**1		
Fon 2	FON 2	-	All	**2		

At the bottom of the table area, there are three buttons: 'Print List', 'Configure New Device', and 'Help'. An arrow points from the text 'Click on „Configure New Device“' to the 'Configure New Device' button.

Click on „Configure New Device“

The screenshot shows the 'Configure Telephony Device' wizard in the FRITZ!Box 7270 web interface. The title bar reads 'Configure Telephony Device'. The main content area asks: 'What kind of telephony device would you like to configure?'. It is divided into two sections:

- Connected to the FRITZ!Box**
You can connect various telephony devices to your FRITZ!Box: Telephones, answering machines, PBXs and fax machines.
 - Telephone (with or without answering machine)
 - Answering Machine
 - ISDN PBX
 - Fax machine
- Integrated in the FRITZ!Box**
Without having to connect a separate device, you may configure here up to five different answering machines and the fax reception.
 - Fax reception
 - Answering Machine

At the bottom right, there are two buttons: 'Next >' and 'Cancel'. An arrow points from the text 'Select „Telephone“ and click „Next“' to the 'Next >' button.

Select „Telephone“ and click „Next“



FRITZ!Box 7270

⚠ Set password 📄 Expert Mode: Expert 📄 Contents ? Help

Connecting a Telephone

1. Connect the telephone to a free FON socket on the FRITZ!Box or keep your cordless (DECT) telephone ready.
2. Select the interface to which you connected the telephone.
3. Enter a name for the telephone, for example "living room" or "Anna's phone":
Name:

< Back Next > Cancel

Select LAN/WAN(IP telephone)

Enter Name a.g.UDVPanel



FRITZ!Box 7270

⚠ Set password 📄 Expert Mode: Expert 📄 Contents ? Help

Settings in the IP telephone

1. Note the following registration data to register your IP telephone after configuration at the FRITZ!Box.
2. Enter the user name and the registrar displayed here and a password you specify.

Registrar	fritz.box
User Name	620
Password	<input type="text" value="620"/>

< Back Next > Cancel

Enter Password a.g. „620“



FRITZ!Box 7270

⚠ Set password 📄 Expert Mode: Expert 📄 Contents ? Help

Configuring a Telephone for Outgoing Calls

1. Select which number should be used to conduct the calls.

< Back Next > Cancel

Click „Next“ only



FRITZ!Box 7270

⚠ Set password 📄 Expert Mode: Expert 🗂 Contents ? Help

Telephone Settings for Incoming Calls

Specify whether the telephone should accept all calls or only react to certain telephone numbers.

- react to all numbers
- react only to the following numbers
 - 600 (number for outgoing calls)

< Back Next > Cancel

Select „react to all numbers“



FRITZ!Box 7270

⚠ Set password 📄 Expert Mode: Expert 🗂 Contents ? Help

Apply Settings

The telephony device is being configured with the following settings.

Telephony device	Telephone
Name	UDVPanel
connected to	LAN/WLAN
Number for outgoing calls	600 (Internet)
Numbers for incoming calls	all incoming calls

Note: Configure all connected telephony devices in the FRITZ!Box. Calls can only be accepted at configured devices.

< Back Finish Cancel

Click Finish



FRITZ!Box 7270

⚠ Set password 📄 Expert Mode: Expert 🗂 Contents ? Help

Overview

Internet

Telephony

- Calls
- Telephone Book
- Alarm
- Call Diversion
- Dialing Rules
- Telephone Devices
- Internet Telephony
- Regional Options

Home Network

- WLAN
- DECT
- System

Wizards

Configuration, Updates, Telephones

Telephone Devices

Overview Fixed line

On this page you can configure and edit the telephones, answering machines and fax machines connected to the FRITZ!Box.

Name	Connect via	Number Outgoing	Incoming	Internal		
Fon 1	FON 1	-	All	**1		
Fon 2	FON 2	-	All	**2		
UDVPanel	LAN/WLAN	600	All	**620		

Print List Configure New Device Help

New SIP account created success. Now we can register to this SIP server

Register UDVPanels on FritzBox SIP server:

UDVPanels 3.3

DoorPhone IP:	Video Port:	User Name:	Password:
192.168.1.250	80		
<input type="checkbox"/> 192.168.1.251	80		
<input type="checkbox"/> 192.168.1.252	80		
<input type="checkbox"/> 192.168.1.253	80		

Phone connection

Peer-To-Peer

SIP server

Pop-Up upon call

Save call to Record dir as AVI:
C:\Users\Public\Documents\UDVPanels\Record

Save call to Snapshot dir as JPG:
C:\Users\Public\Documents\UDVPanels\Snapshot

SIP server address: fritz.box SIP proxy address: fritz.box Call prefix: **

My identity: 621 My password: 1234 Auth. ID:

EN Send LOG file Save Cancel

The Call prefix you need set to „**“

Register DoorPhone (IPDP) on FritzBox SIP server:

Day mode

Menu:

- Network setting
- Basic parameters
- SIP parameters
- Setting audio
- Setting video
- Relays
- Time parameters
- Memory numbers
- User interface
- Service
- Video
- Help

Language:

english

SIP parameters:

SIP proxy server	Address:	192.168.178.1
	Port:	5060
SIP registrar server	Address:	
	Port:	5060
Outbound proxy	Address:	
	Port:	5060
Account module	Name:	621
	Password:	621
	Auth. Id:	
	Expiration [sec]:	600

Registration successful

Use (180 Ringing):

Use (183 Session progress):

Enable Simmetric RTP:

The IP of FritzBox

New account created on FritzBox SIP server

Appendix:

The UDVPanels software has been tested on the following systems:

- ! Win10
- ! Win8.1
- ! Win7-64 Professional
- ! Win7-32 Professional
- ! Win7-64 HomePremium
- ! WinXP SP2

If the user needs to use a SIP server, we recommend 3CX software based IP PBX, www.3cx.com, or as hardware Fritz!Box made by AVM www.fritzbox.com.