

New FTZ Door Guard

NFTZ - 01

NFTZ - 02



Installation and Operating Instructions

Table of Contents

1	BASIC DESCRIPTION.....	4
1.1	FEATURES	4
1.2	MODULE ASSEMBLY	4
1.2.1	<i>NFTZ Module</i>	5
1.2.2	<i>Setting voice communication</i>	6
1.2.3	<i>Connection electric lock</i>	6
1.3	INSTALLATION OF GUARD ASSEMBLY.....	6
1.3.1	<i>Installation on Plaster</i>	6
1.3.2	<i>Flush-Mounted Installation</i>	7
1.4	CHANGE OF NAMEPLATES	7
2	MECHANICAL DIMENSIONS.....	8
3	WIRING OF CONNECTOR	9

1 Basic Description

1.1 Features

- Interface compatible system FTZ 123, 6-8 wires
- Maximum 2 push-button
- A part of is relay for open electric lock (No-Com-Nc)
- Permanent lighting through visiting cards without external power supply
- Activate communication indicated LED on front panel

1.2 Module Assembly

The NFTZ structural elements are the basic modules with two or one buttons. Further it is possible to provide the assembly with camera module.



NFTZ2



NFTZ1



Camera



MK-1



Fixing
frame



KPD1 – rain -
protective cover
(on plaster)



Canopy2
(flush -mounted)



Flanging frame2
(flush -mounted)

1.2.1 NFTZ Module

The NFTZ module is supplied in two variants – with two NFTZ2 buttons and one NFTZ1.

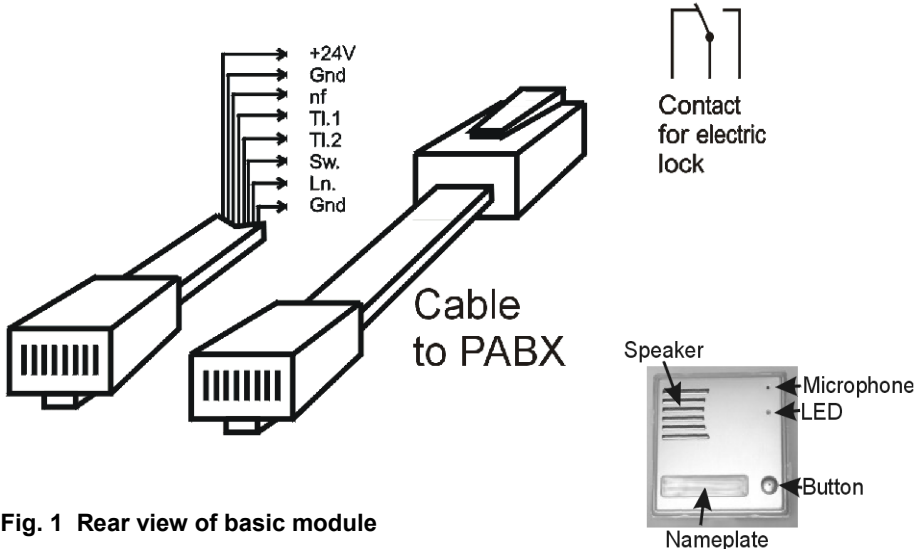
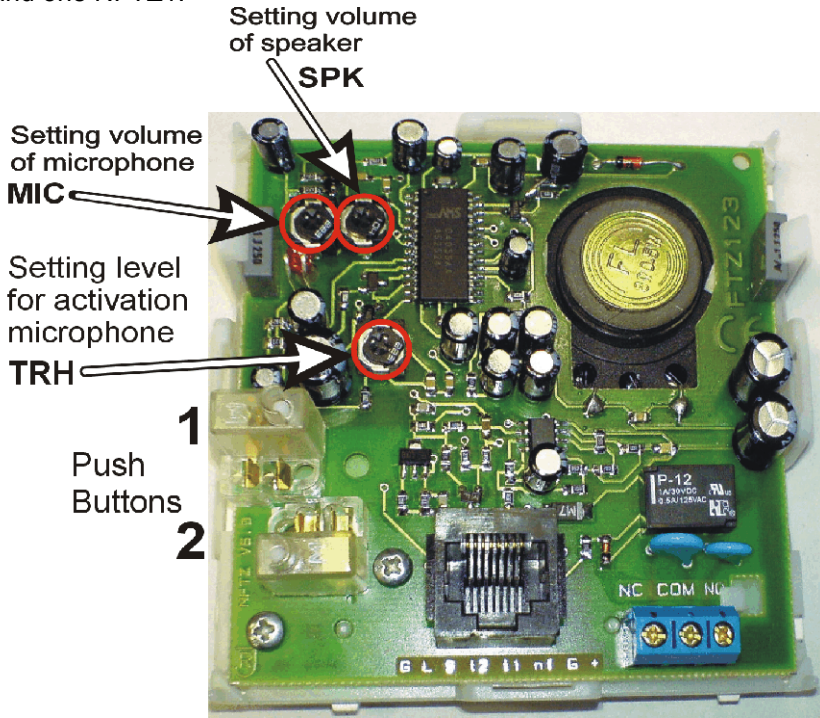


Fig. 1 Rear view of basic module

1.2.2 Setting voice communication

Trimmer "MIC" be instrumental to setting loudness of microphone, trimmer "SPK" be instrumental to setting loudness loudspeaker. In this version is big reserve in gain, therefore isn't recommended adjust more than on half, typical is in 1/3 from minimum gain. Trimmer "TRH" be instrumental to setting levels activation of microphone, it means, so as doorphone "non whoop" owing to acoustic loop so selection, which direction has priority, whether from microphone, or into loudspeaker. Level from which volume with "switch on" direction from microphone doorphone setting trimmer „TRH". This setting interact level surrounding noise and setting gain of microphone „MIC".

Progress of setting: trimmer MIC and SPK setting in 1/4 from minimum loudness (minimum is sense turning left), trimmer TRH setting in central position. At conversation connection stilly talk and trimmer TRH turning from central value direction to the left so, till you will on the side phone (in building) hear. Gain of loudspeaker, in some case of microphone set-up according to needs.

1.2.3 Connection electric lock

The connection of switch contact terminals is shown on fig. 1. The "NO" designation means an idle-disconnected contact, "COM" means a pin contact (middle) and "NC" means an idle-connected contact. The contacts of both switches are galvanically isolated each other and from other guard circuits. The variants of connection are shown on fig. 2.

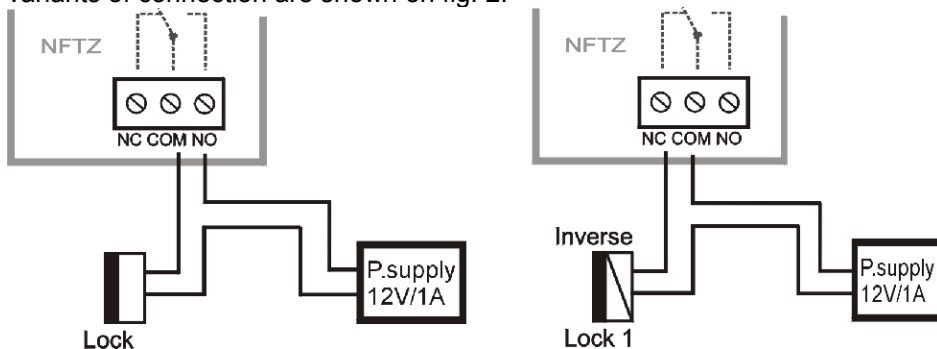


Fig. 2 Variants of connection normal or inverse lock

1.3 Installation of Guard Assembly

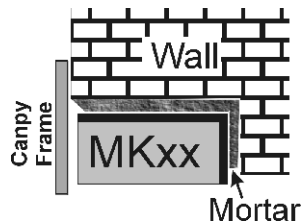
1.3.1 Installation on Plaster

By installation on plaster the only compact box - Rain-Protective Cover KPDxx is used, which will supersede all mechanical parts (MKxx, Canopy xx and Fixing Frame xx). The installation is made by screwing to the wall by means of dowels. See KPD1 on figure.



1.3.2 Flush-Mounted Installation

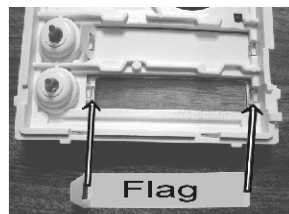
The MKxx mounting box is built-in wall. Be careful in orientation of assembling holes when nearly MK1 square box is used – it must be in vertical axis. The well-embedded box is shown on figure.



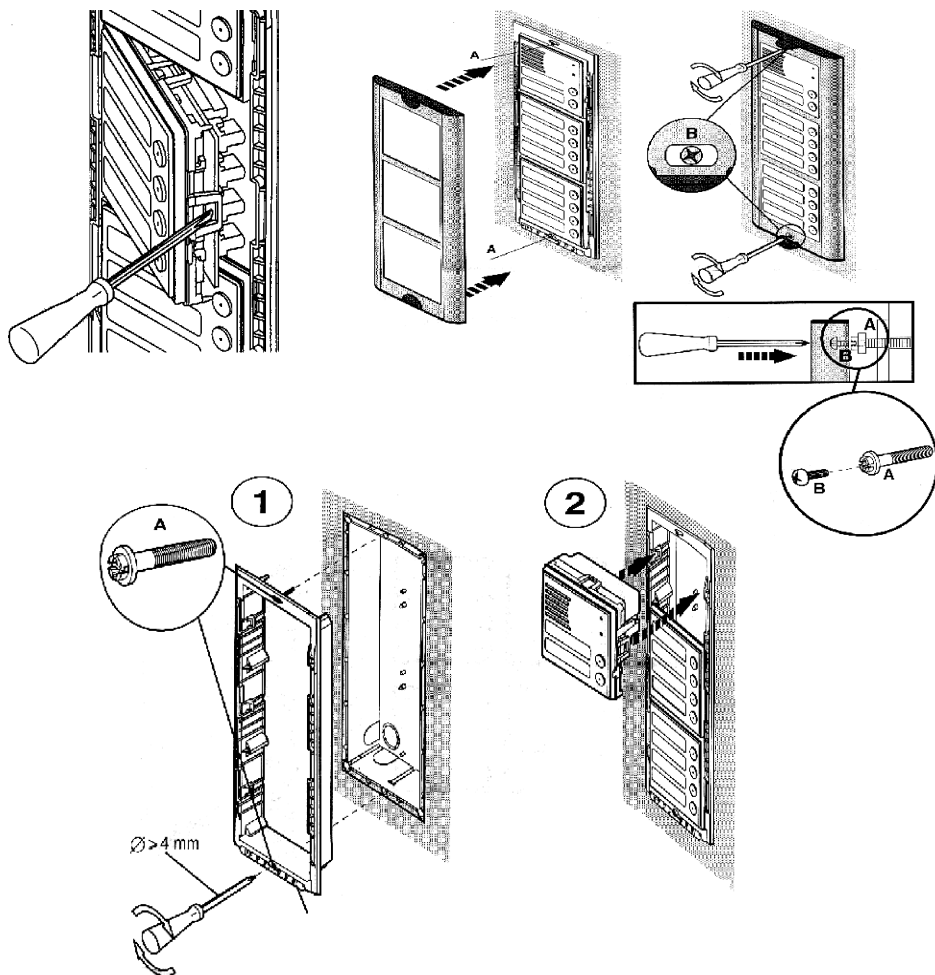
The Protecting Frame (provides overlapping of unevenness after mounting box walling-in) and Canopy (necessary for installation in external areas) form other accessories for flush-mounted installation.

1.4 Change of nameplates

The first step is **dismantling of a fixing frame** from module, where we want to change a nameplate. It can be executed by unscrewing of two screws under plastic covers on fixing frame. When removing the fixing frame we can see two independent modules. The **front part**



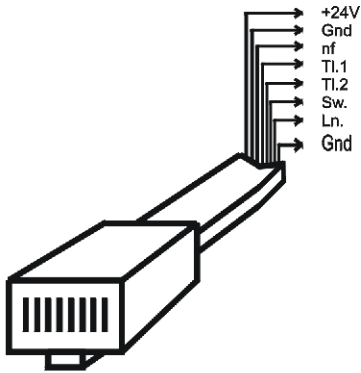
(metallic) of the button module has to be first separated from plastic part in this way that we will put off the **plastic lug**, ensuring the front part on the right side. Each button has its separate nameplate hold by means of plastic flag (see figure). The paper nameplates can be printed from Excel form (to be downloaded on www.alphatech.cz).



2 Mechanical dimensions

Type of item	dimensions HxWxD [mm]			
	1 module	2 modules	3 modules	4 modules
MKxx mount. box	114x118x45	204x118x45	294x118x45	384x118x45
KPDxx (on plast.)1col.	151x157x79	241x157x79	331x157x79	421x157x79
KPDxx (on plast.)2col.	-	241x286x79	-	421x286x79
Canopy xx	149x151x49	241x151x49	331x151x49	421x151x49
Fixing frame	147x151x3	239x151x3	299x151x3	399x151x3

3 Wiring of connector



- +24V** power from PABX
- Gnd** ground – common wire
- nf** acoustic signal of speech
- TI.1** push button 1
- TI.2** push button 2
- Sw.** control of lock switch
- Ln.** control of speech
- Gnd** ground – common wire

Guarantee conditions:

The product was shop-checked. The producer guarantees that this product will keep the features described in these operating instructions in the course of guarantee provided that the user will be handled with it as described in the operating manual. The guarantee will be extended by period of possible guarantee repair.

When claiming in guarantee period please contact your dealer. The producer only will make the guarantee repairs. Attach the description of claim reason, proof of purchase and your exact address to the product.

The guarantee does not include:

- mechanical, thermal, chemical and other damages caused by user's activities
- defects caused by natural disasters
- defects caused by repair or changes carried out by user or other unauthorized person
- willful damage of product
- incorrect use of product caused by other use than specified in operating manual (e.g. installation, programming)
- damages caused during product transport to customer and from supplier

Producer:
Dealer:
Date of sale:

ALPHA
Tech

© JR 2005 version V1.0 XI/05